



16 million
colors change



CCT
Adjustable



Dimmable
Saturation control



IP66
waterproof rate

Product Parameters

•Model Number:

FL085573

•Working Temperature:

-20-45°C

•Luminous Efficiency:

100LM/W

•PF:

>0.5

•IP Rating:

IP66

•Power:

15W.

•Colour Temperature:

2700K-6500K

•Illumination distance:

>10m

•Lifespan:

50000 hours

•RF:

2.4GHz

•Input Voltage:

AC 100~240V 50/60Hz.

•Luminous Flux:

1500LM

•CRI:

>80

•Beam Angle:

15°

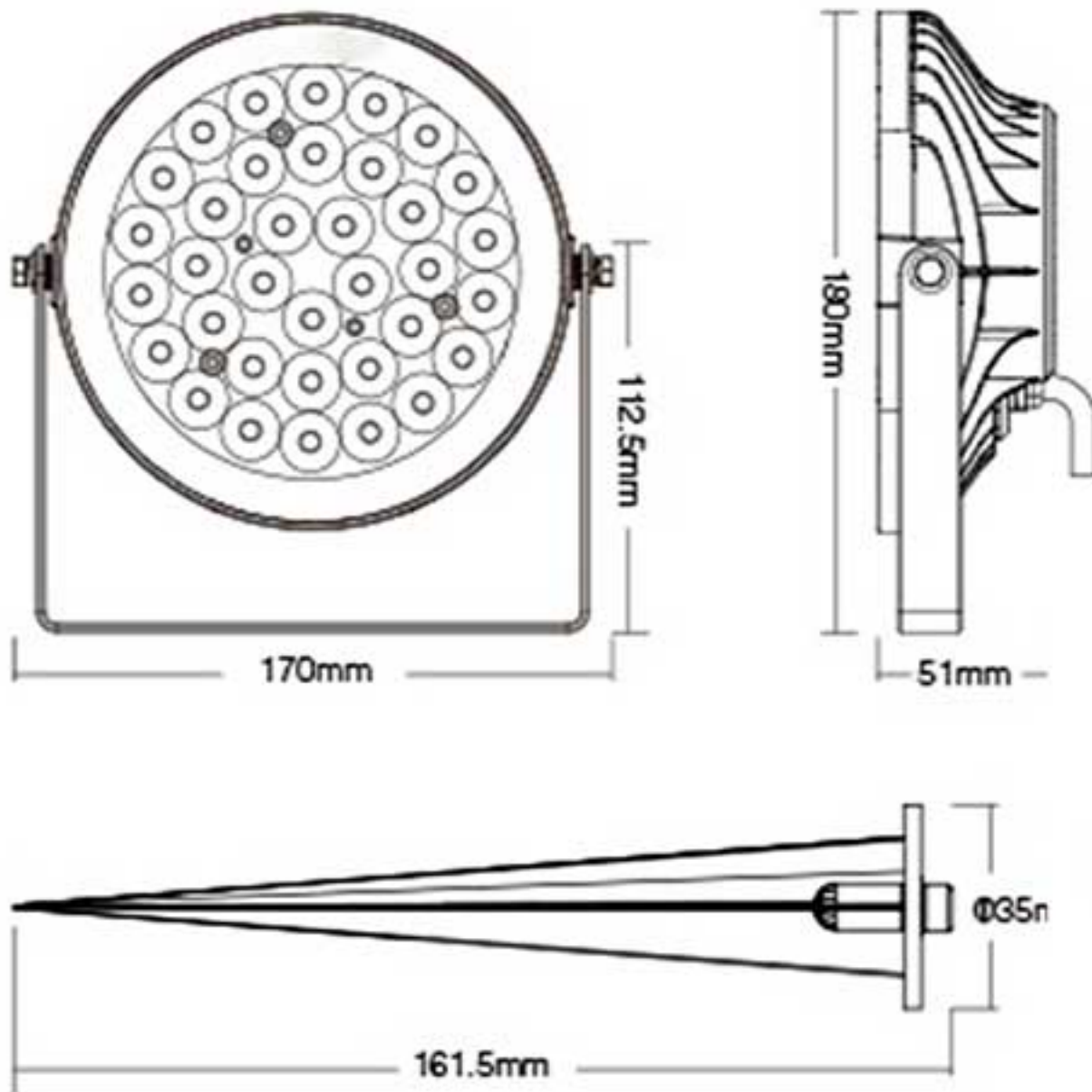
•Control Distance:

30m



FANTASY LIGHTS GROUP®
COMPLETE LIGHTING SOLUTIONS

15W RGB+CCT LED GARDEN LIGHT



1PC/BOX
NW: 0.78KGS



Smart lifestyle with beauty

16 million colors change, saturation adjustable
Make smart lighting atmosphere
meet all your requirement



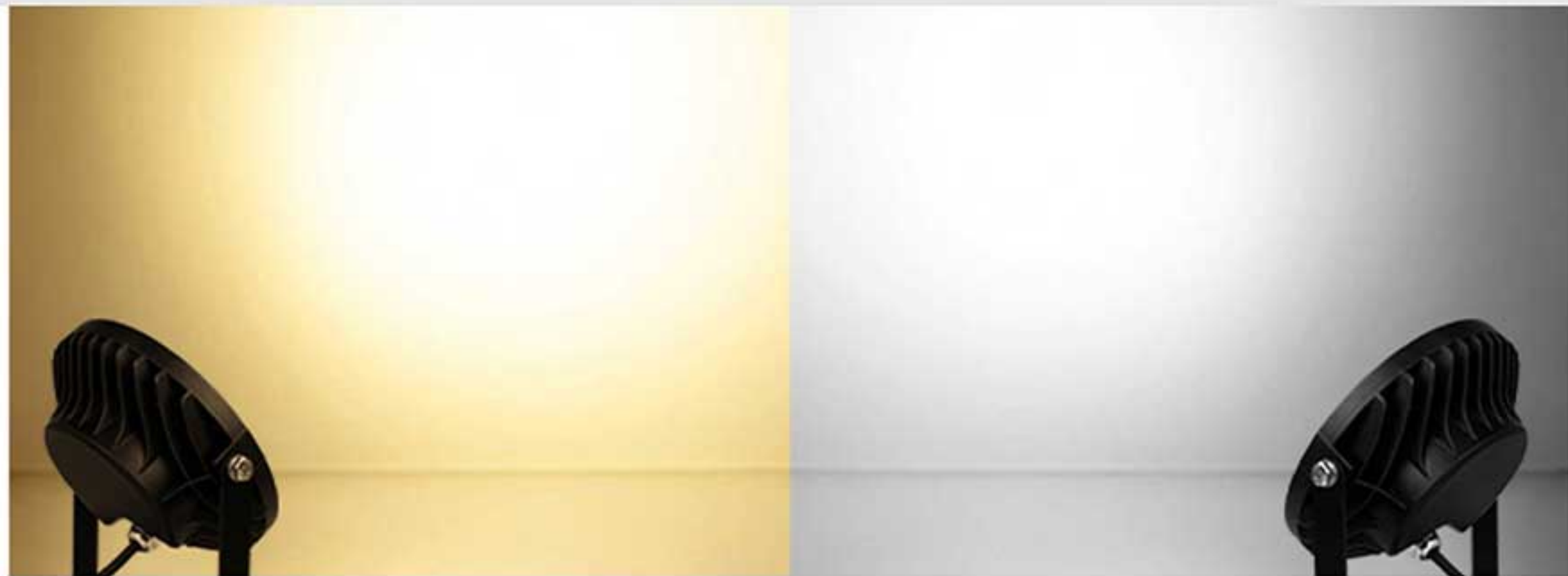


FANTASY LIGHTS GROUP®
COMPLETE LIGHTING SOLUTIONS

15W RGB+CCT LED GARDEN LIGHT

Brightness adjustable & Color temperature adjustable

Brightness adjustable, Adjust the color temperature from 2700K~6500K,
make the light you want



2.4GHz remote control Smartphone APP control

Wireless remote and smartphone control, realize the multi-functional setting,
experience smart home life

* Need 2.4GHz Gateway for smartphone APP control



Compatible with





FANTASY LIGHTS GROUP[®]
COMPLETE LIGHTING SOLUTIONS

15W RGB+CCT LED GARDEN LIGHT

Support Third Party Voice Control

It need 2.4GHz gateway for third party voice control



WORKS WITH
amazon alexa



works with the
Google Assistant



Symmetrical and centralized light ray

Beam Angle 15°, Irradiation distance 10m





Waterproof and
Dustproof rate: IP66

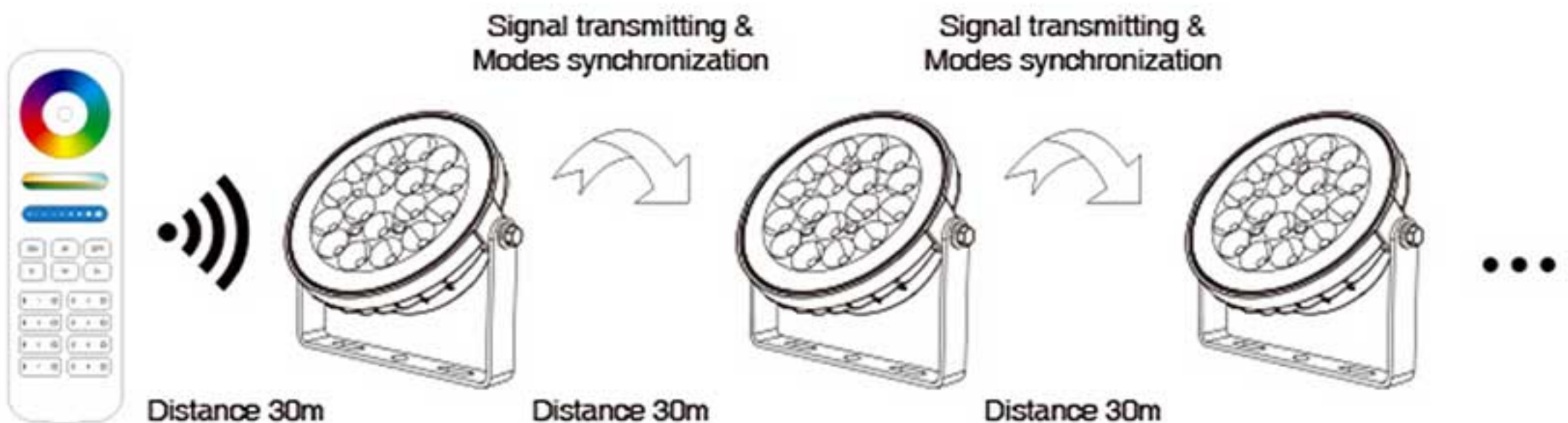


Signal transmitting

One garden light can transmit the signals from the remote control to another garden light within 30m, as long as there is a garden light within 30m, the remote control distance can be limitless.

Modes synchronization

Different garden lights can work synchronously when they are started at different times, controlled by the same remote, under same dynamic mode and within 30m distance.





FANTASY LIGHTS GROUP®
COMPLETE LIGHTING SOLUTIONS

15W RGB+CCT LED GARDEN LIGHT

Optical Lens

Anti-dazzling optical lens; diverging light scientifically. Symmetrical and bright light ray



High efficiency heat dissipation

Integrative Aluminum design; Inserted thermal conduction, with thermal convection in air movement, Protect light source lifespan

Power cable nut

Copper nickel plating material,
Waterproof and dustproof
Never Rusting



Anticorrosion inserted pole

High quality Aluminum, longer and more thick
strong anticorrosion