

GOBOLED 500

IMAGE PROJECTION

Packed with multiple effects, patterns and a motorized zoom, **GOBOLED 500** offers broad creative design integration for permanent exterior installations. Fitted with one high power LED, this cutting edge image projector delivers a bright and accurate rendition of graphic designs, logos and animations in outdoor and indoor locations.

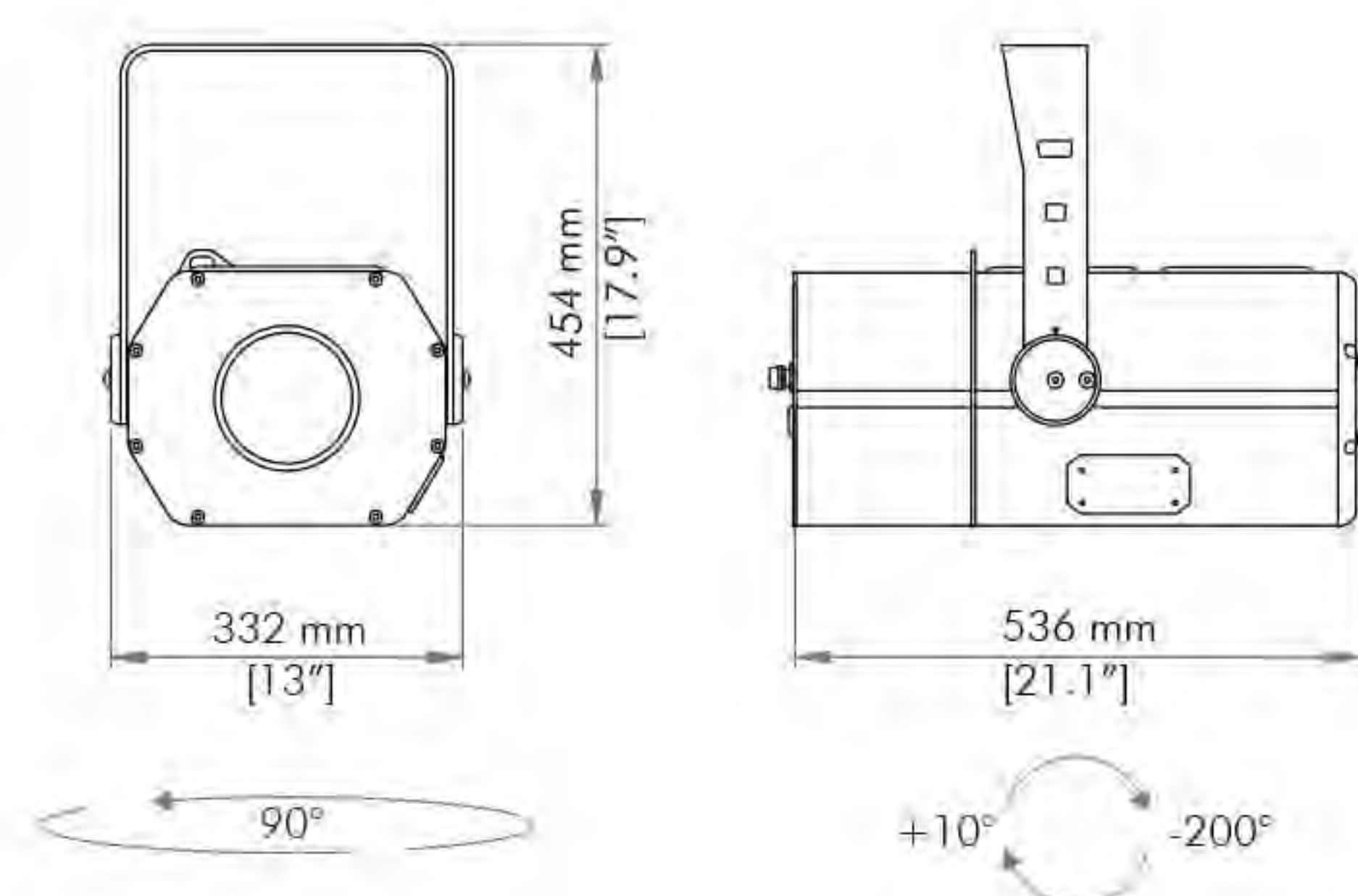


GOBOLED 500



FANTASY LIGHTS GROUP[®]
COMPLETE LIGHTING SOLUTIONS

GOBOLED 500



BEAM ANGLE REFERENCE

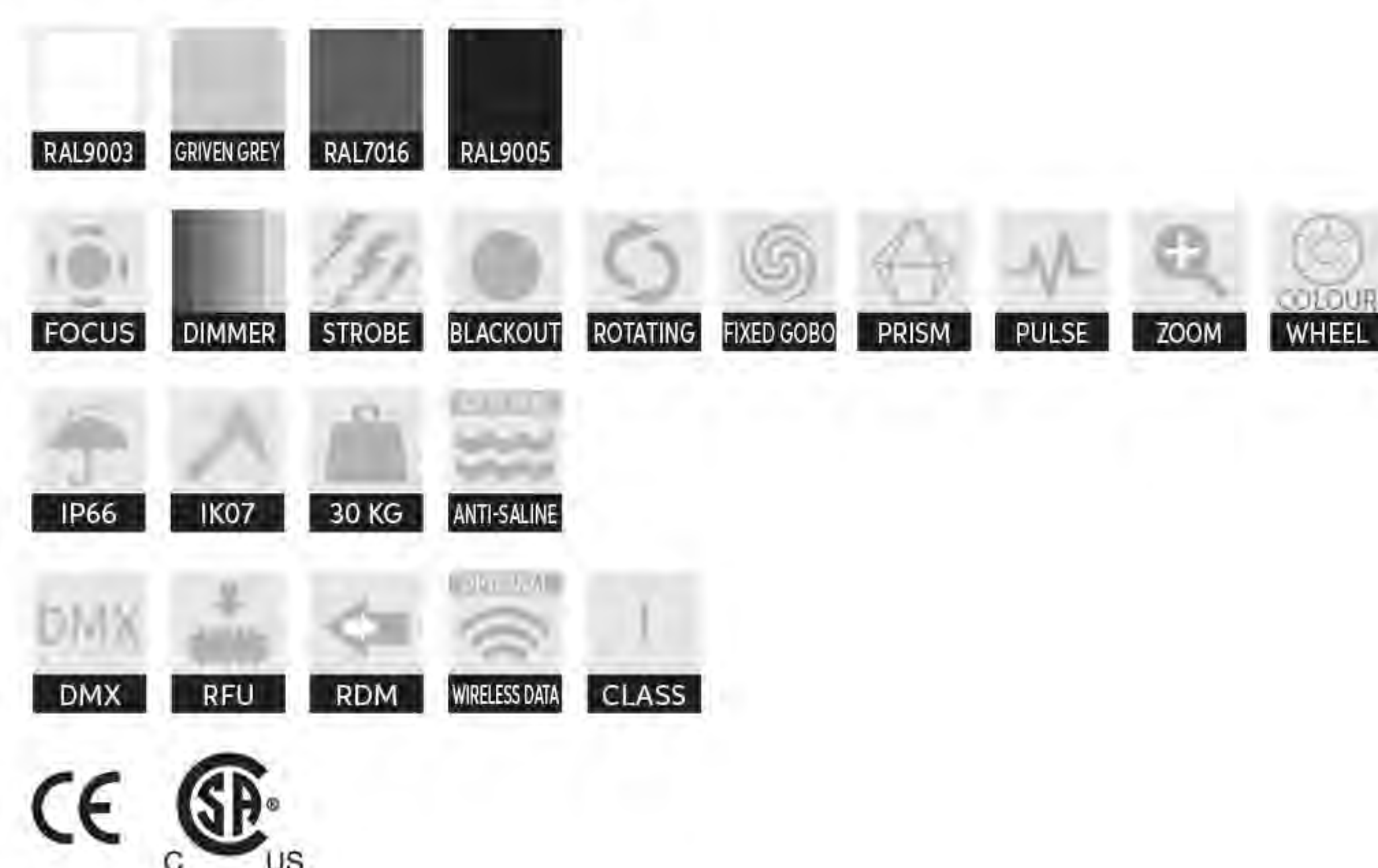
ZOOM 7°-37°



MAX OUTPUT
7° 9800 lm
37° 13837 lm

PHOTOMETRIC DETAILS AVAILABLE ON OUR WEBSITE

FEATURES AND OPTIONS



ACCESSORIES



AL0250
SAFETY CABLE

TECHNICAL SPECIFICATIONS

Colour configuration:

One high brightness 8000K power LED

Optical configuration:

7°-37° motorized zoom

Max. Delivered lumen output:

9800 lm (min. zoom) / 13834 lm (max. zoom)

Image:

Electronic blackout

Motorized focus

7 interchangeable rotating gobos wheel (ø 27/22 mm);

4 fixed gobos plus animation effect wheel

8 colours + white wheel

2 prisms with variable rotation (8 facets and 3D effect)

Pulse effect

Input voltage:

100-240VAC / 50-60 Hz

Power consumption:

2.51A@230VAC / 560W (heater on),

1.98A@230VAC / 425W (heater off)

Ingress protection rating:

IP66

Impact resistance rating:

IK07

Impact resistance rating:

IK07

External operating limits:

-30°C to 50°C / (-22°F to 122°F)

Warranty:

2-year warranty

GOBOLED 500 is an IP66 image projector, whose aluminium body, fitted with an adjustable mounting yoke, hosts 1 high brightness 8000K power LED. Dimensions: 332 mm x 536 mm x 454 mm. Available in DMX, automatic and Master-Slave mode, it also features linear 0-100% dimmer, RFU (Remote firmware update), and RDM (Remote device management) functions. Additional features: 14 DMX channels; strobe function (27.7 FPS max); electronic blackout; motorized focus; 7°-37° motorized zoom; 7 interchangeable rotating gobos wheel (ø 27/22 mm); 16 bit indexing; 4 fixed gobos plus animation effect wheel; 8 colours + white wheel; 2 prisms with variable rotation (8 facets and 3D effect); pulse effect. Power supply: standard 100÷277V / 50-60Hz. Power consumption: 1A @ 230V / 450W. An Electrical Class I appliance, it features integrated electronic thermal protection management. Operating temperature: -30°C to 50°C (-22°F to 122°F).